

### Features

- Sub-miniature size (3.5 mm/0.140 in. dia.)
- Durable cylindrical design
- Low inherent noise
- Low current drain
- Frequency response options (standard, 6dB and 12dB)
- Porting options
  - Axial flush hole for cavity mounting (251-0x)
  - Port tube for use with acoustical tubing (251-1x)

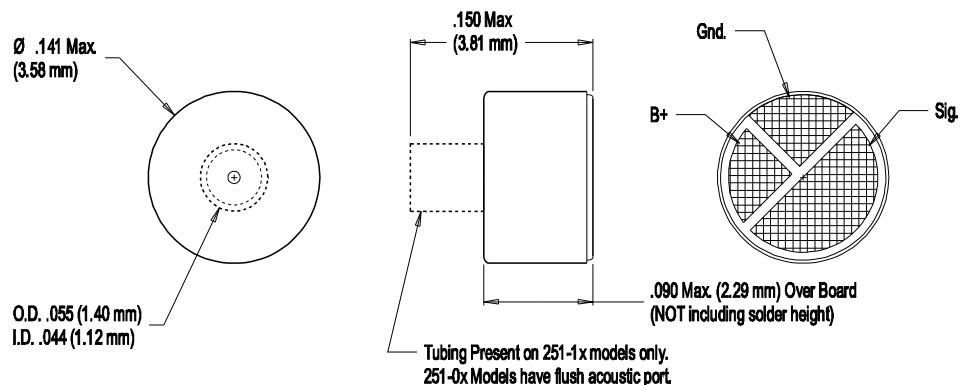


### Performance Specifications

<b>Sensitivity @ 1kHz</b>	251-01, -10	-37.0	dB re 1 V/Pa (10 $\mu$ bar)
<b>A-Weighted Noise</b>	251-01, -10	27 31	dB SPL Nominal (Sound Equiv.) dB SPL Maximum (Sound Equiv.)
<b>Supply Voltage</b>	-Nominal -Minimum -Maximum	1.3 0.9 5	Volts Volts (w/ 1 dB change max.) Volts
<b>Supply Current</b>	-Nominal -Maximum	15 35	$\mu$ amps $\mu$ amps
<b>Vibration Sensitivity</b>		<66	dB SPL/g
<b>Output Impedance</b>	-Nominal -Minimum -Maximum	4400 2800 6800	Ohms Ohms Ohms
<b>Sensitivity to Humidity</b>		0.03	dB per % R.H. @ 1kHz

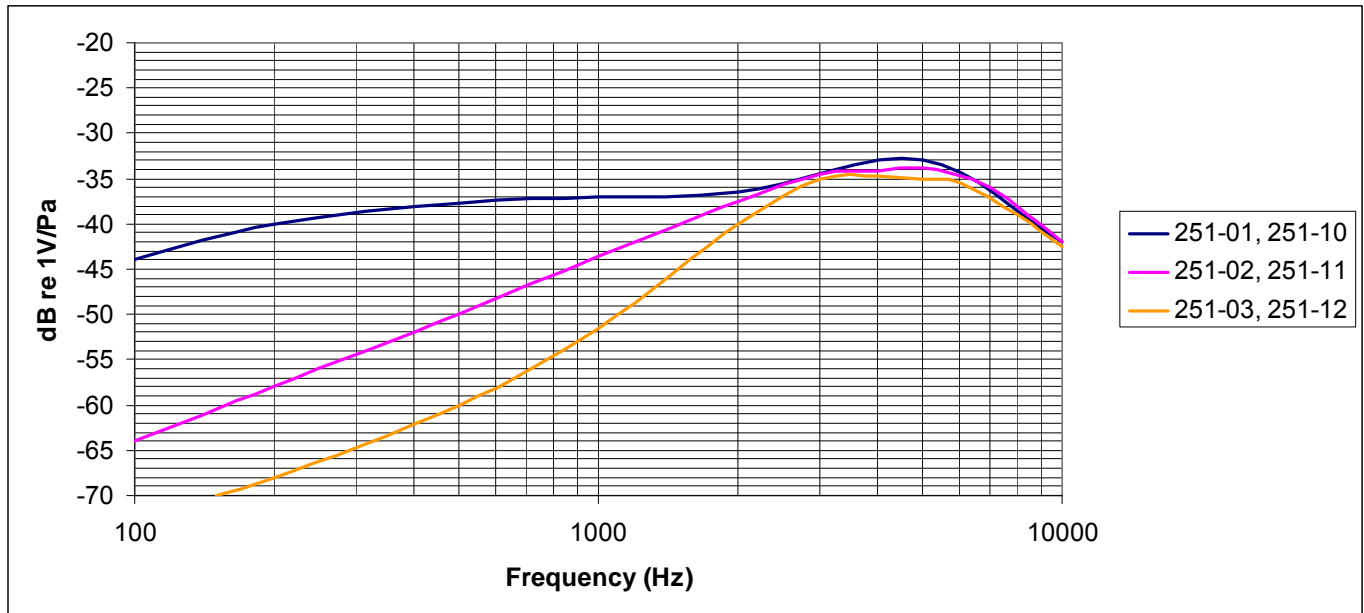
(1.3 Volt supply at 50% Relative Humidity and 23° Celsius except where specified otherwise)

### Physical Dimensions



## Frequency Response

251 Series Microphones are available with various frequency response options. These frequency response variants are available with or without port tubes. They offer the same electrical and physical characteristics as standard products and differ only in frequency response as shown below.



## Sensitivity and Unit Conformance

251-01, 251-10 units	Sensitivity dB re 1V/Pa			Unit Conformance	
	Min.	Nom.	Max	Diff. from 1 kHz	
Frequency					
100	-	-44.0	-	-10.0	-4.0
1000	-40.0	-37.0	-34.0	-	-
~5000	-	-33.0	-	+1.0	+7.0
10000	-39.0	-36.0	-33.0	-	-

251-02, 251-11 units	Sensitivity dB re 1V/Pa			Unit Conformance	
	Min.	Nom.	Max	Diff. from 500 Hz	
Frequency					
500	-53.0	-50.0	-47.0	-	-
~5000	-	-34.0	-	+13.0	+19.0
6000	-39.0	-36.0	-33.0	-	-

251-03, 251-12 units	Sensitivity dB re 1V/Pa			Unit Conformance	
	Min.	Nom.	Max	Diff. from 500 Hz	
Frequency					
500	-63.0	-60.0	-57.0	-	-
~5000	-	-35.0	-	+21.0	+29.0
6000	-39.0	-36.0	-33.0	-	-