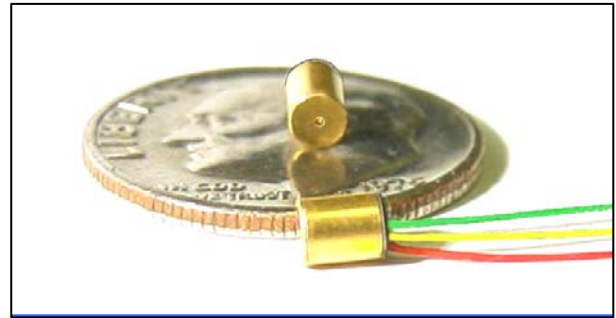


Features

- Sub-miniature size (2.54 mm/0.10 in. dia)
- Durable cylindrical design
- EMI protection
- Very low inherent noise
- Low current drain



Model 151 series microphone
(leads not included)

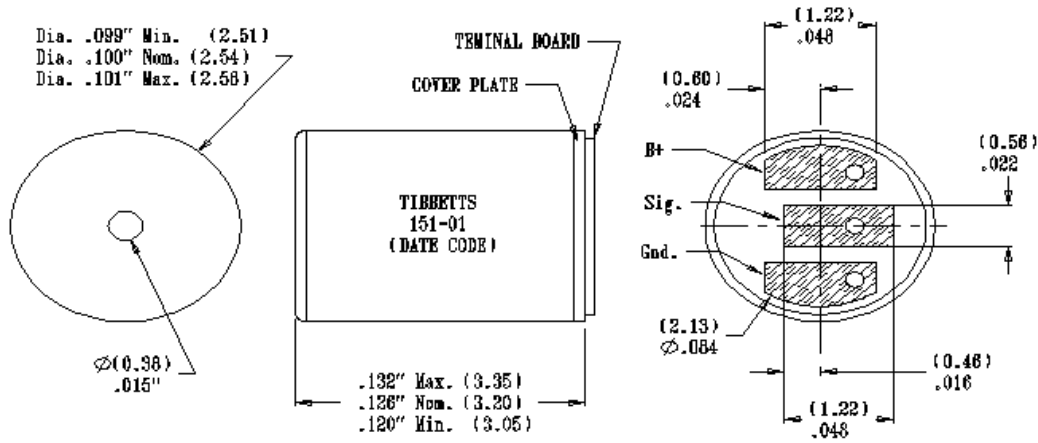
Performance Specifications

Sensitivity	- Nominal - Minimum - Maximum	-36 -39 -33	dB re 1 V/Pa @ 1kHz
A-Weighted Noise	- Maximum	31	dBA (sound equivalent)
Supply Voltage	- Nominal - Minimum - Maximum	1.2 0.9 5.0	Volts Volts (2.5 dB change max) Volts
Supply current	- Nominal - Maximum	20 40	μA
Output Impedance	- Nominal - Minimum - Maximum	4400 2800 6800	Ohms
DC Output level	- Nominal - Minimum - Maximum	0.5 0.3 0.8	Volts (@ 1.2V supply)
Vibration Sensitivity	- Maximum	66	dB SPL/g
Power Supply Feed Through	- Maximum	-8	dB
Resistance, Case to Ground	- Maximum	10	Ohms
Sensitivity to Humidity	- Maximum	0.06	dB/%R.H. @ 1kHz
Temperature range – operating	- Maximum - Minimum	+63 -17	°Celsius
Temperature range - storage	- Maximum - Minimum	+63 -40	°Celsius

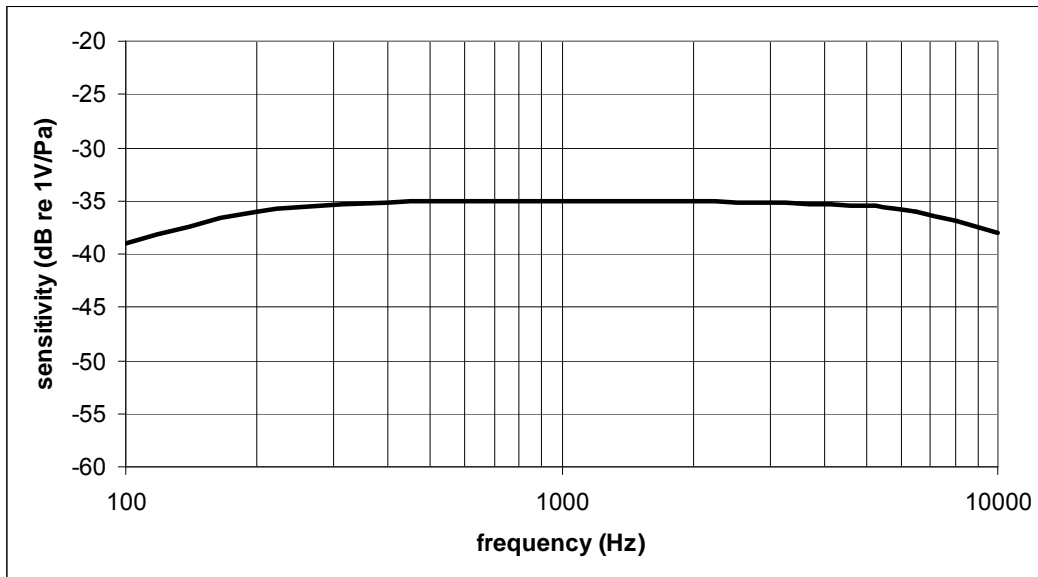
(1.2 Volt supply at 50% Relative Humidity and 23° Celsius except where specified otherwise)

Note: Sierra Peaks Tibbetts 151 microphones have two internal 20 pF capacitors, one between B+ and Signal, the other between Signal and Ground, designed to reduce EMI interference.

Physical Dimensions



Frequency Response



151-01 microphone

Sensitivity and Unit Conformance

Frequency	Sensitivity dB re 1 V/Pa (10 µbar)		
	Min	Nom	Max
50	-	-	-39.0
100	-43.0	-	-
1000	-39.0	-36.0	-33.0
6000	-	-37.0	-
25000	-	-	-

Device Conformity (Range of Deviation from 1 kHz)		
-	-3.0	dB
-7.0	-	dB
0.0	0.0	dB
-5.0	+3.0	dB
-	-8.0	dB