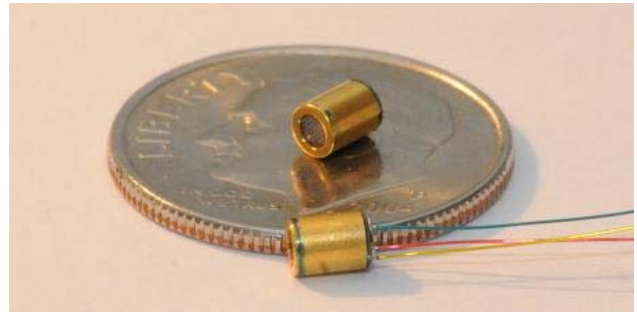


Features

- Based on Sierra Peaks Tibbetts 150 series form factor
- Sub-miniature size (\varnothing 2.54mm / 0.100")
- Durable cylindrical design
- EMI protection
- Very low inherent noise
- Low distortion for high sound pressure levels



Performance Specifications

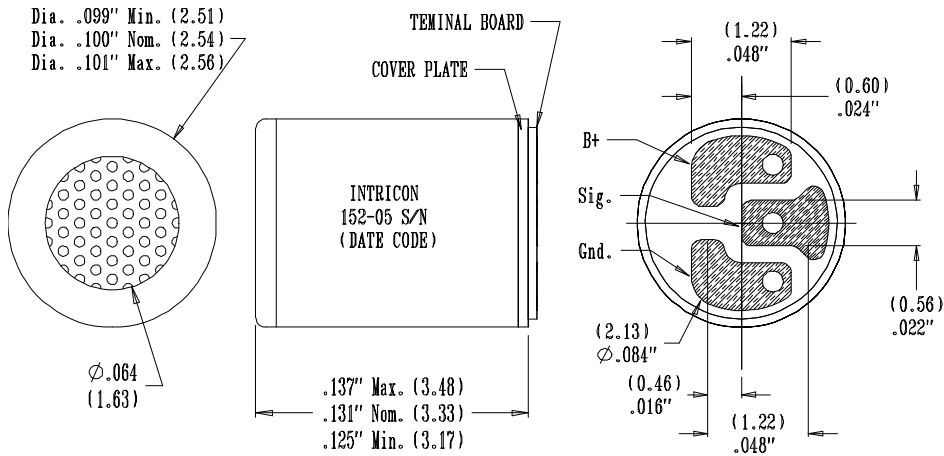
Model 152-05 microphone
(cabled assemblies made upon request)

Sound Pressure Capability	- Nominal	136	dB SPL (3% T.H.D. @6V supply)
Sensitivity	- Nominal - Minimum - Maximum	-48.0 -51.0 -43.0	dB re 1 V/Pa @ 1kHz
A-Weighted Noise	- Maximum	33	dBA (sound equivalent)
Supply Voltage	- Nominal - Minimum - Maximum	6.0 3.0 9.0	Volts
Supply current	- Nominal - Maximum	150 550	μ A
Output Impedance	- Nominal - Minimum - Maximum	1000 650 2000	Ohms
DC Output level	- Nominal - Minimum - Maximum	2.0 1.5 3.0	Volts (@ 6V supply)
Vibration Sensitivity	- Maximum	66	dB SPL/g
Power Supply Feed Through	- Maximum	-8	dB
Resistance, Case to Ground	- Maximum	10	Ohms
Sensitivity to Humidity	- Maximum	0.06	dB/%R.H. @ 1kHz

(6.0 Volt supply at 50% Relative Humidity and 23° Celsius except where specified otherwise)

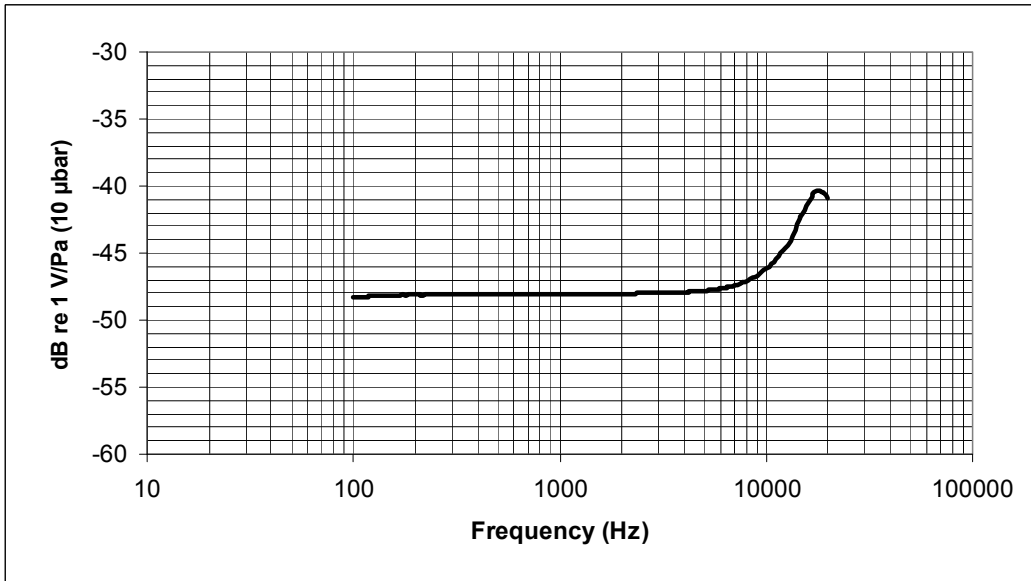
Note: Sierra Peaks Tibbetts 152-05 microphones have two internal 10 pF capacitors, one between B+ and Signal, the other between Signal and Ground, designed to reduce EMI interference.

Physical Dimensions



Frequency Response

152-05 High Sound Pressure Level microphone



Sensitivity and Unit Conformance

Frequency	Sensitivity dB re 1 V/Pa (10 µbar)		
	Min	Nom	Max
100	-	-	-
1000	-51.0	-48.0	-43.0
10000	-	-	-
12000	-	-	-
20000	-	-	-

Device Conformity (Range of Deviation from 1 kHz)		
-2.0	+2.0	dB
-	-	dB
-2.0	-	dB
-2.0	+10.0	dB
-	+10.0	dB